

BEYOND BASE SINGLE

Technical Specifications



GENERAL

| | |
|-------------------------------|------------------------|
| Default system paired: | 1 x Beyond 12 |
| Size: | Handheld |
| Accessory: | Comfortable neck strap |
| Programming Interface: | USB-C Serial |

MECHANICAL

| | |
|----------------------------|---|
| IP rating: | IP65 |
| Temperature rating: | -20° to +80°C |
| Component grade: | Automotive grade: AEC-Q100 AEC-Q200 |
| Dimensions: | H: 125 mm L: 60 mm W: 40 mm |
| Mass: | 200 - 210 g |
| Material: | PA-12 Nylon Black |

POWER

| | |
|-----------------------------|---|
| Turn ON/OFF times: | ON: Press once OFF: Hold for 8 sec. |
| Battery capacity: | 1090 mAh |
| Operating time: | > 8 hours |
| Charging voltage: | 5 V |
| Supply current: | 1 A min. |
| Charging Port: | USB-C |
| Charging time @ 1 A: | 0 - 80%: 1.5 hours 0 - 100%: 3.5 hours |

IRIDIUM

| | |
|-------------------------------------|--|
| Frequency band: | 1610 – 1626.5 MHz |
| Modem to modem avg. latency: | *15 s |
| Range: | Unlimited (Global coverage) |
| Antenna: | Embedded HC600 Passive Iridium Helical Antenna |

**Average latency when coverage is good.*

EXTRA SPECIFICATIONS

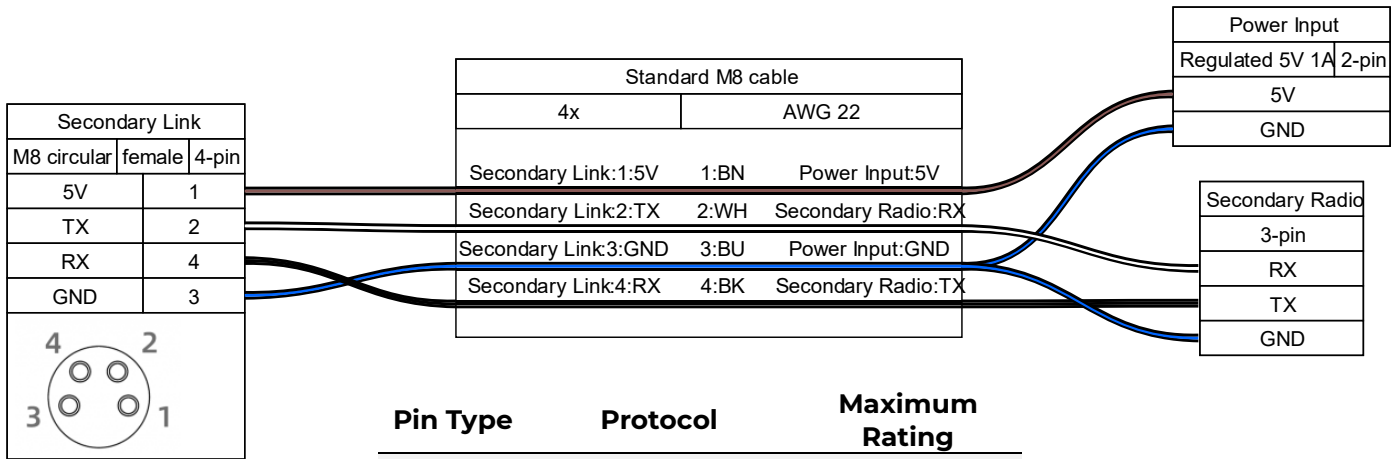
Below is listed some extra specifications if versions of Base Single are purchased with Secondary Link and/or External antenna.

SECONDARY LINK

- Secondary Link Connector:** 4Pos M8 connector
(see picture below)
- Extra Charging port:** M8 connector / 5V
- Mounting:** 2 x M4 Mounting holes

EXTERNAL ANTENNA

- Antenna:** No embedded antenna
- Antenna Connector:** 50 Ω SMA Female



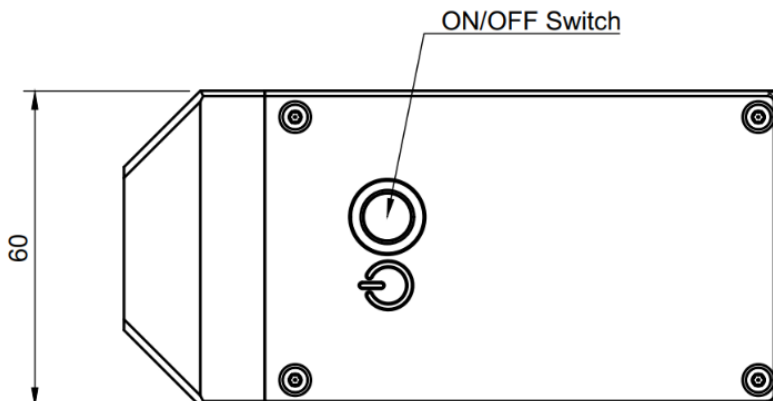
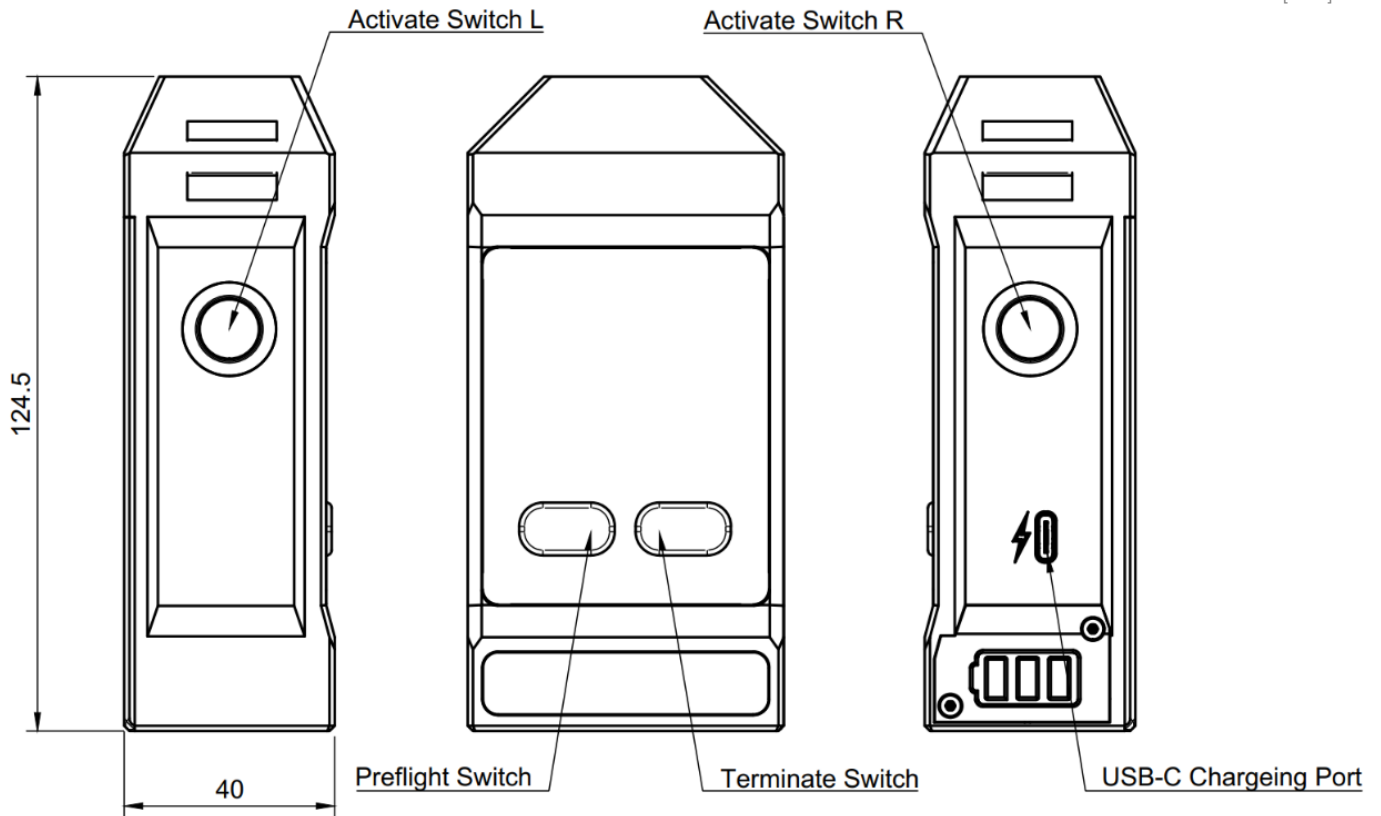
| Pin Type | Protocol | Maximum Rating |
|-----------|-----------|----------------|
| 5V | Power | 6 V |
| SL Serial | TTL – 3v3 | 6 V |

TECHNICAL DRAWING

For Beyond Base Single



Units in [mm]

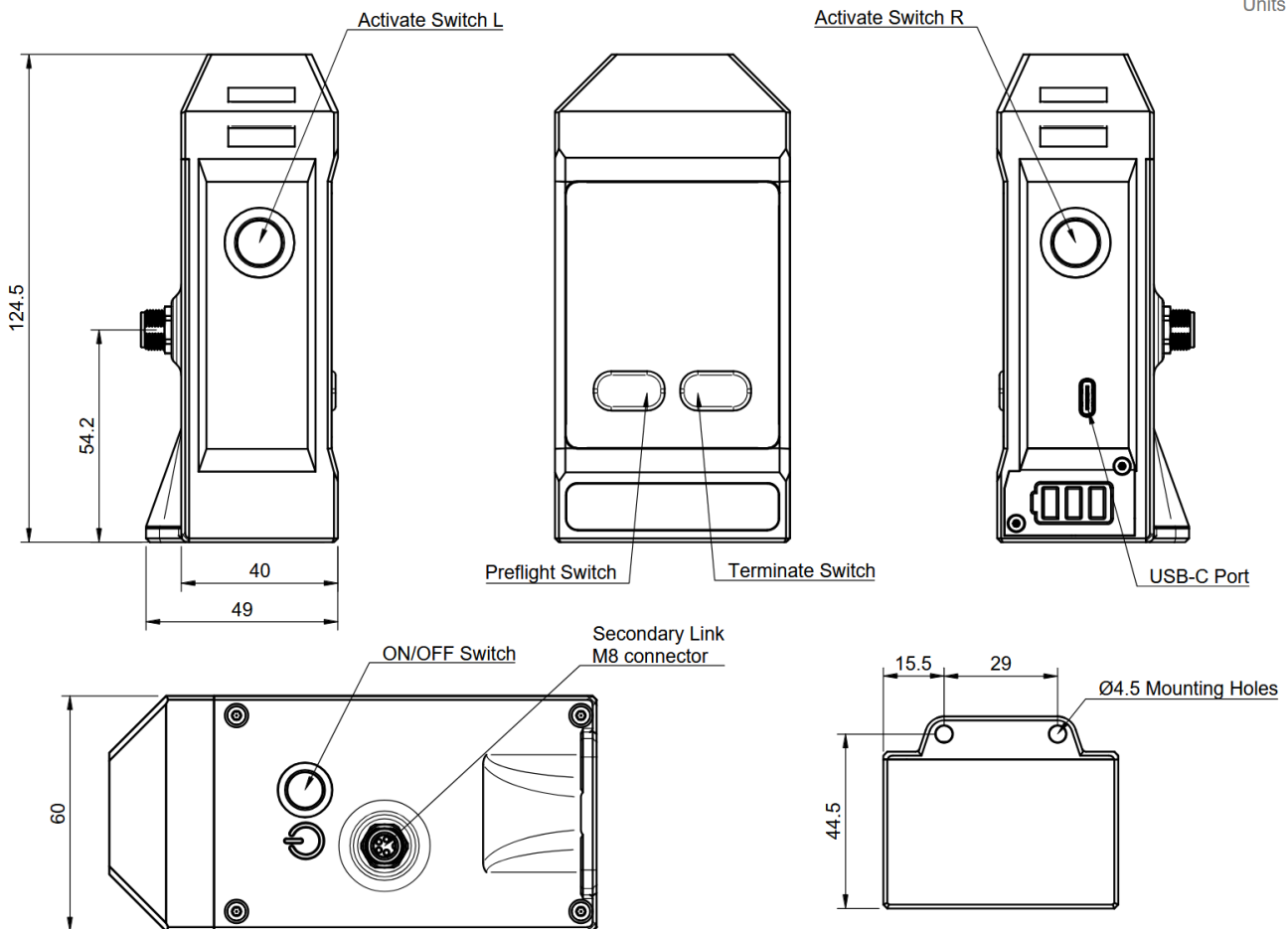


TECHNICAL DRAWING

For Beyond Base Single with Secondary Link



Units in [mm]



TECHNICAL DRAWING

For Beyond Base Single with Secondary Link & External Antenna

